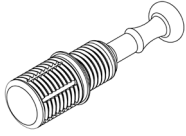




BEST CRAFT ORGANIZER CRAFT ISLAND - BAR HEIGHT



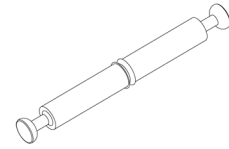
Quick-Fit Dowel (28)



Wood Dowel (18)



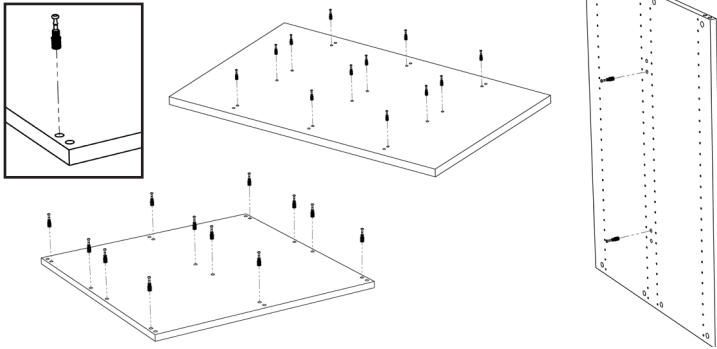
Cam Locks (32)



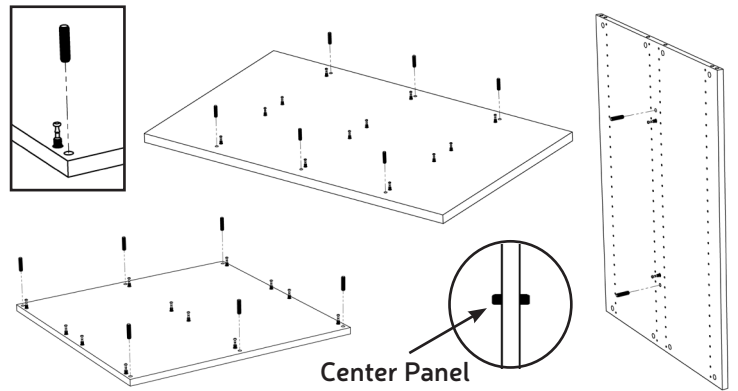
Long Connector Bolt (2)

You will need: Phillips Screwdriver

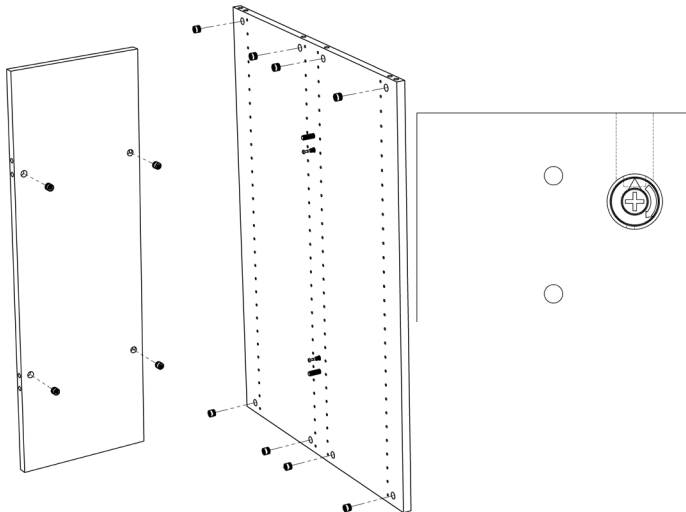
- 1.) Insert the Quick-Fit Dowels into the inside holes shown on the top, bottom (with small pilot holes), and side panels. NOTE: Do NOT install Quick-Fit Dowels to the center panel (holes drilled all the way through).



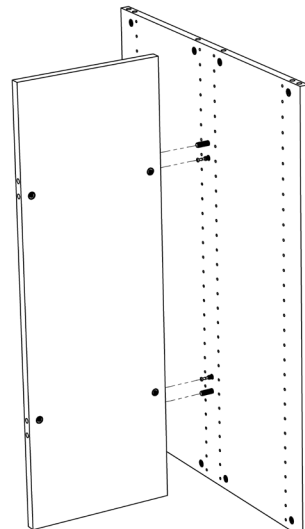
- 2.) Insert the Wood Dowels into the outside holes shown on the top, bottom, side, and center panels. For the center panels: Push the dowel through the hole so that the same amount extends on both sides.



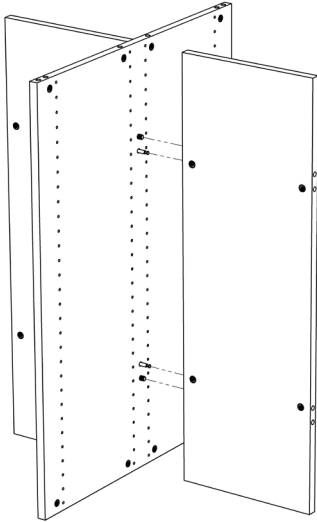
- 3.) Insert the Cam Locks into the larger holes on the back, side, and center panels. Make sure the arrow on the Cam Lock is pointing towards the pre-drilled hole in side of panel.



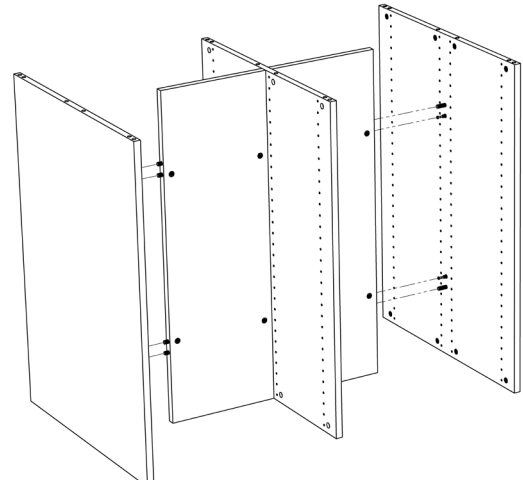
- 4.) Insert the Long Connector Bolts into one of the back panels. Slide center panel over Long Connector Bolts.



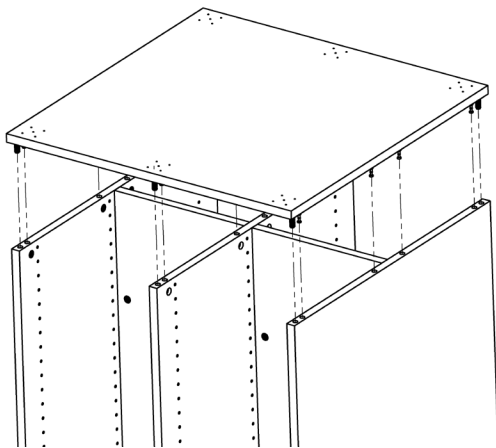
- 5.) Slide the other back panel over the exposed ends of the Long Connector Bolts. Tighten all four Cam Locks by turning clockwise.



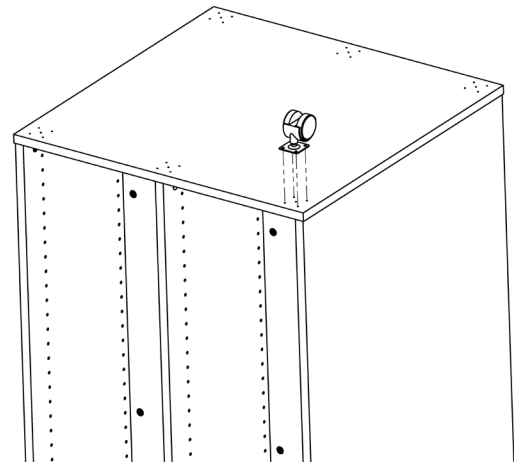
- 6.) Attach both side panels to this assembly by sliding the Quick-Fit Dowels into the pre-drilled holes on the edge of the back panel. Tighten the Cam Locks by turning clockwise.



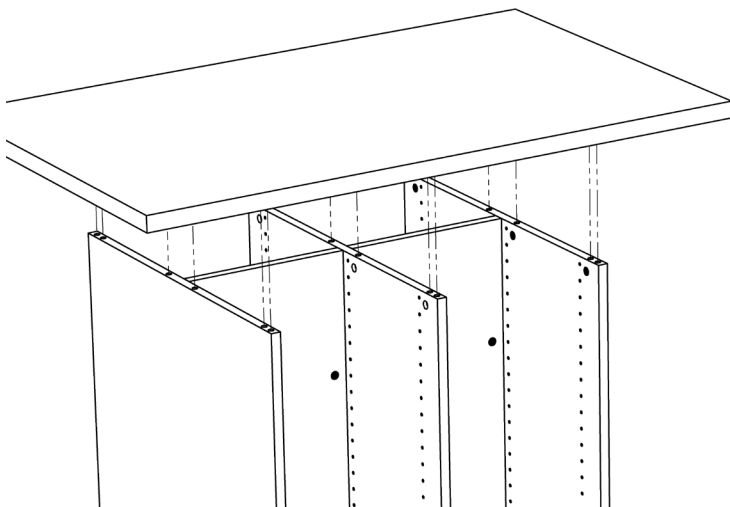
- 7.) Attach the bottom panel, tightening the Cam Locks in the same manner.



- 8.) Attach the Casters using the pre-drilled holes. Be sure to lock Casters before flipping cabinet back over.



- 9.) Flip the cabinet over and attach the top panel.



COMPLETED CRAFT ISLAND

Please note: Drawer Rails are not required for the bottom drawer.

